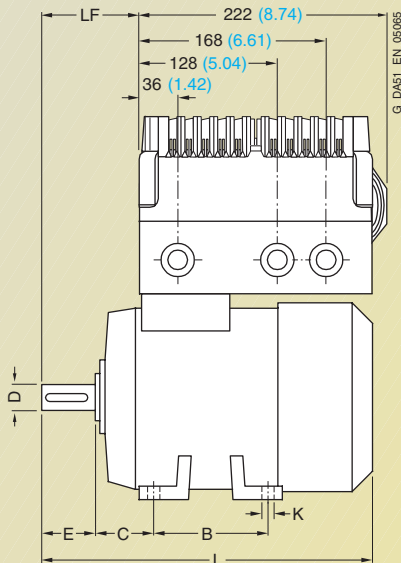
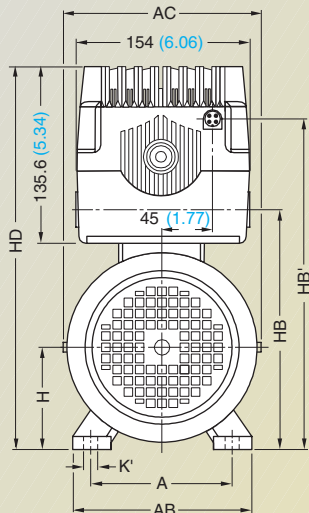
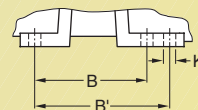


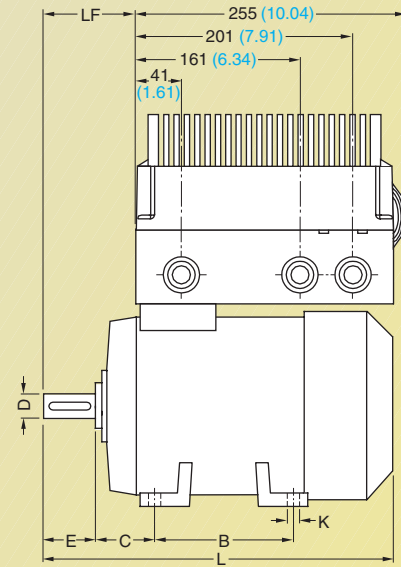
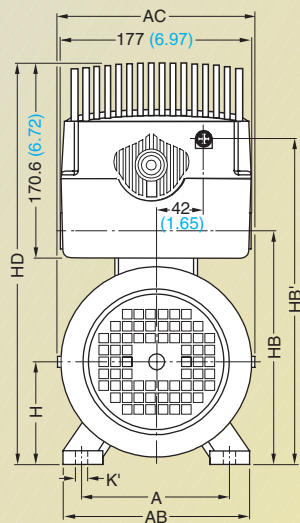
Inverter Case Size B



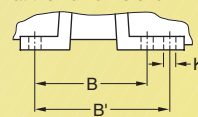
Frame size 90 S/L has feet with 2 holes each at the non-drive end



Inverter Case Size C



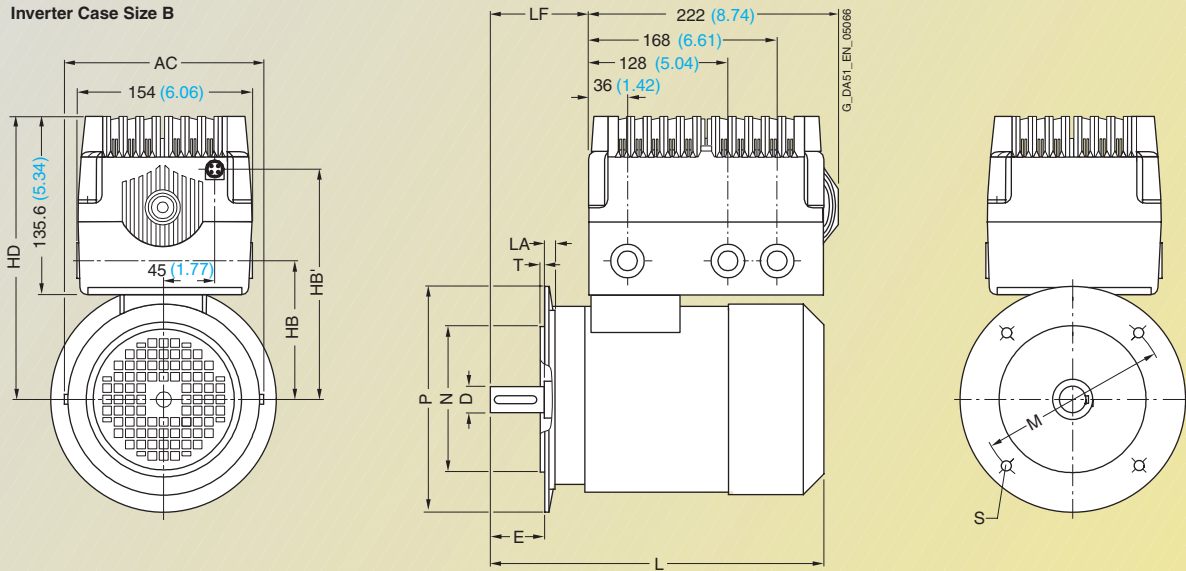
Frame size 90 L has feet with 2 holes each at the non-drive end



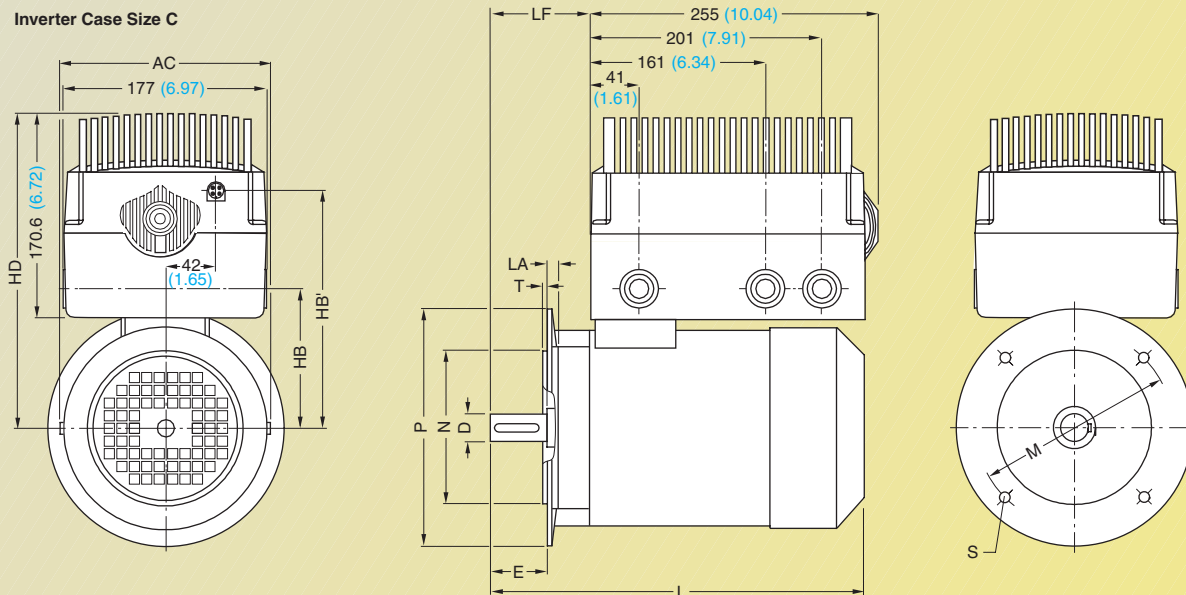
Motor Frame size	Type	Dimension symbol to																
		IEC DIN	A b	AB f	AC g	B a	B' a'	C w ₁	D d	E l	H h	HB v	HB' v'	HD p	K s	K' s ₁	L k	LF q
Case Size B																		
71	1UA1 07 .	112 (4.41)	132 (5.20)	145 (5.71)	90 (3.54)	-	45 (1.77)	14 (0.55)	30 (1.18)	71 (2.80)	172 (6.77)	234.6 (9.24)	278.6 (10.97)	7 (0.28)	10 (0.39)	240 (9.45)	54 (2.13)	
80	1UA1 08 .	125 (4.92)	150 (5.91)	163 (6.42)	100 (3.94)	-	50 (1.97)	19 (0.75)	40 (1.57)	80 (3.15)	190 (7.48)	252.6 (9.94)	296.6 (11.68)	9.5 (0.37)	13.5 (0.53)	273.5 (10.77)	64 (2.52)	
90 S	1UA1 090	140 (5.51)	165 (6.50)	180 (7.09)	100 (3.94)	125 (4.92)	56 (2.20)	24 (0.94)	50 (1.97)	90 (3.54)	208 (8.19)	270.6 (10.65)	314.6 (12.39)	10 (0.39)	14 (0.55)	331 (13.03)	89.5 (3.52)	
90 L	1UA1 096-4	140 (5.51)	165 (6.50)	180 (7.09)	100 (3.94)	125 (4.92)	56 (2.20)	24 (0.94)	50 (1.97)	90 (3.54)	208 (8.19)	270.6 (10.65)	314.6 (12.39)	10 (0.39)	14 (0.55)	331 (13.03)	89.5 (3.52)	
Case Size C																		
90 L	1UA1 096-2	140 (5.51)	165 (6.50)	180 (7.09)	100 (3.94)	125 (4.92)	56 (2.20)	24 (0.94)	50 (1.97)	90 (3.54)	208 (8.19)	280 (11.02)	349.5 (13.76)	10 (0.39)	14 (0.55)	331 (13.07)	88.5 (3.48)	
100 L	1UA1 10 .	160 (6.30)	196 (7.72)	203 (7.99)	140 (5.51)	-	63 (2.48)	28 (1.10)	60 (2.36)	100 (3.94)	225 (8.86)	300 (11.81)	370 (14.57)	12 (0.47)	16 (0.63)	372 (14.69)	98 (3.86)	

All of the dimensions are in mm (values in brackets are in inches)

Inverter Case Size B



Inverter Case Size C



Motor Frame size	Type	Dimension symbol to														
		IEC DIN	AC g	D d	E l	HB v	HB' v ₁	HD p	L k	LA c ₁	LF q	M e ₁	N b ₁	P a ₁	S s ₂	T f ₁
Case Size B																
71	1UA1 07 .	145 (5.71)	14 (0.55)	30 (1.18)	101 (3.98)	163.6 (6.44)	207.6 (8.17)	240 (9.45)	9 (0.35)	54 (2.13)	130 (5.12)	110 (4.33)	160 (6.30)	10 (0.39)	3.5 (0.14)	
80	1UA1 08 .	163 (6.42)	19 (0.75)	40 (1.57)	110 (4.33)	172.6 (6.80)	216.6 (8.53)	273.5 (10.77)	10 (0.39)	64 (2.52)	165 (6.50)	130 (5.12)	200 (7.87)	12 (0.47)	3.5 (0.14)	
90 S	1UA1 090	180 (7.09)	24 (0.94)	50 (1.97)	118 (4.65)	180.6 (7.11)	224.6 (8.84)	331 (13.03)	10 (0.39)	89.5 (3.52)	165 (6.50)	130 (5.12)	200 (7.87)	12 (0.47)	3.5 (0.14)	
90 L	1UA1 096-4	180 (7.09)	24 (0.94)	50 (1.97)	118 (4.65)	190 (7.48)	259.5 (10.22)	331 (13.03)	10 (0.39)	88.5 (3.48)	165 (6.50)	130 (5.12)	200 (7.87)	12 (0.47)	3.5 (0.14)	
Case Size C																
90 L	1UA1 096-2	180 (7.09)	24 (0.94)	50 (1.97)	118 (4.65)	190 (7.48)	259.5 (10.22)	331 (13.03)	10 (0.39)	88.5 (3.48)	165 (6.50)	130 (5.12)	200 (7.87)	12 (0.47)	3.5 (0.14)	
100 L	1UA1 10 .	203 (7.99)	28 (1.10)	60 (2.36)	125 (4.92)	200 (7.87)	270 (10.63)	372 (14.65)	11 (0.43)	64 (2.52)	215 (8.46)	180 (7.09)	250 (9.84)	14.5 (0.57)	4 (0.16)	

All of the dimensions are in mm (values in brackets are in inches)