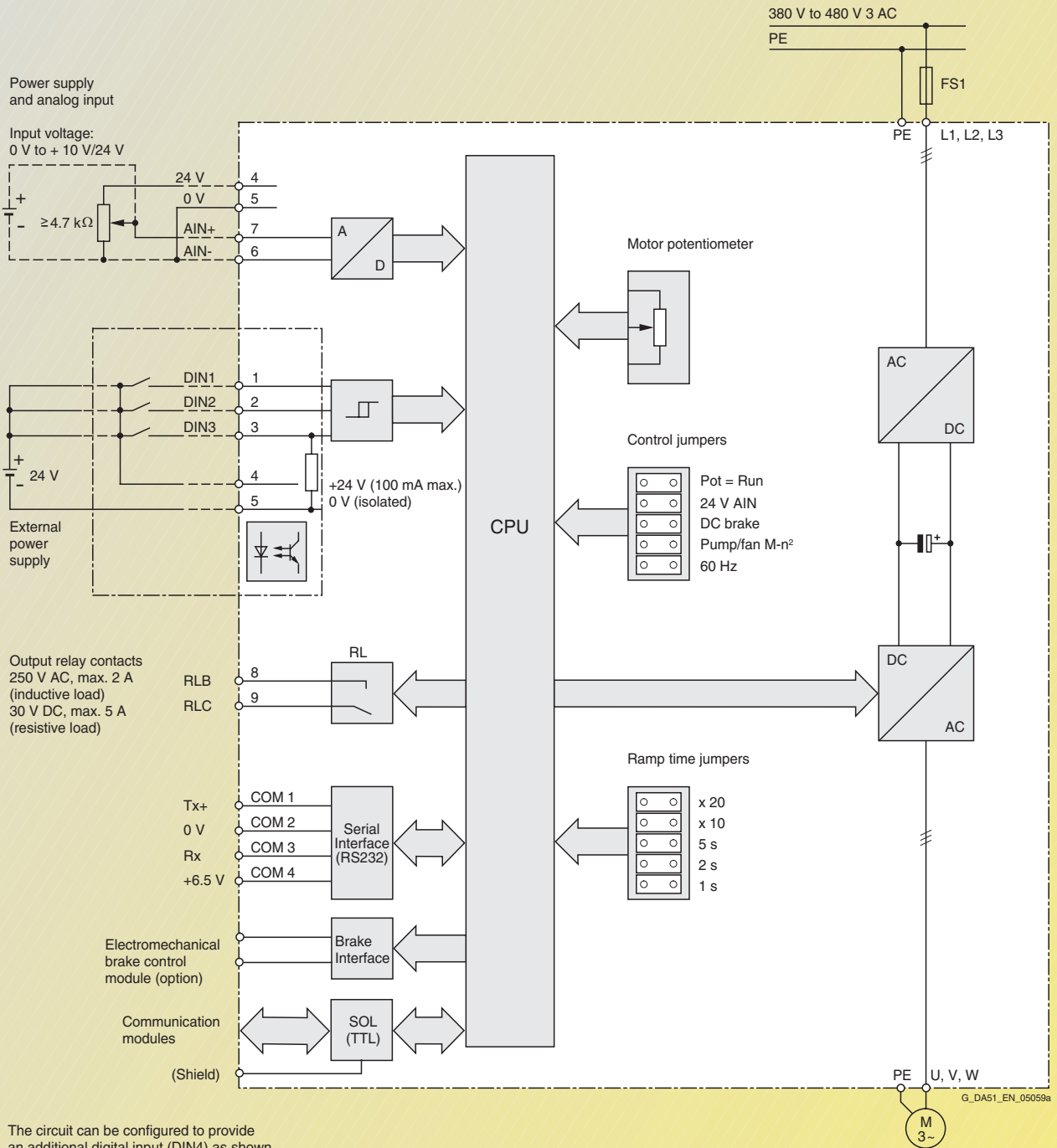


# General Circuit Diagram



G\_DA51\_EN\_05059a

The circuit can be configured to provide an additional digital input (DIN4) as shown. Switching voltages must be greater than 4 V.

